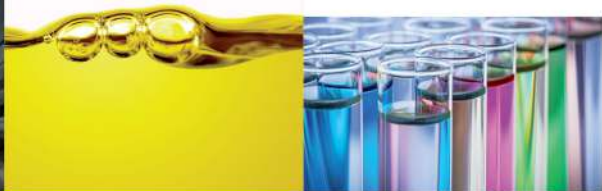


SV200 – Oil Free **GHH RAND** Sliding Vane Compressor

Compact next generation solution for the discharge of bulk liquid road tankers. A high performing and reliable solution for liquid road tanker applications including: Mineral oils, solvents, alkalis, hot bitumen and many other liquids and chemicals.

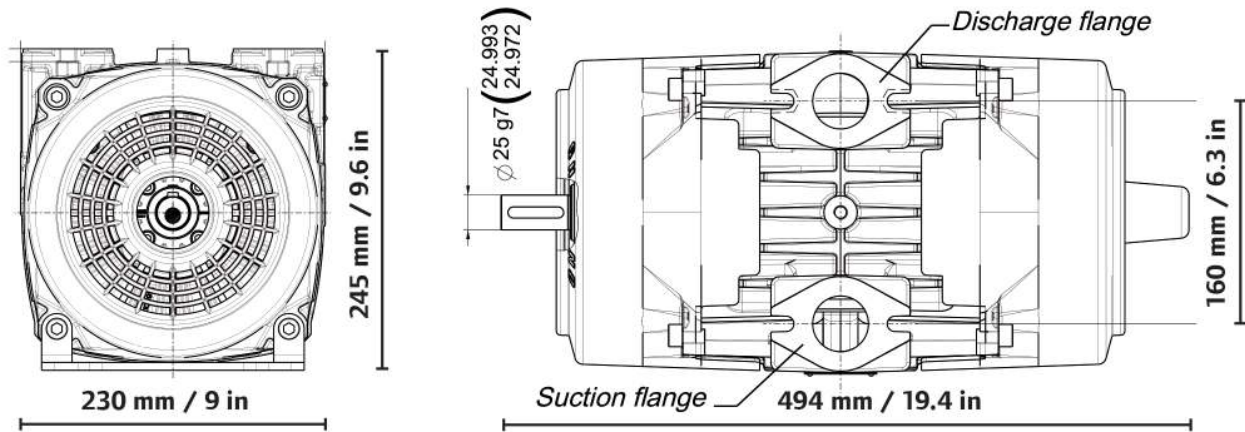


Highlights

- **Water protected compression chamber reducing un-scheduled off road downtime.**
- Optimised volume flow reducing product discharge time, noise contamination, engine fuel consumption and wear.
- Low discharge temperatures reducing the risk of product degradation.
- High reliability due to long blade and seal life.
- Footprint interchangeable with other manufacturers' models enabling ease of replacement and low switching costs.

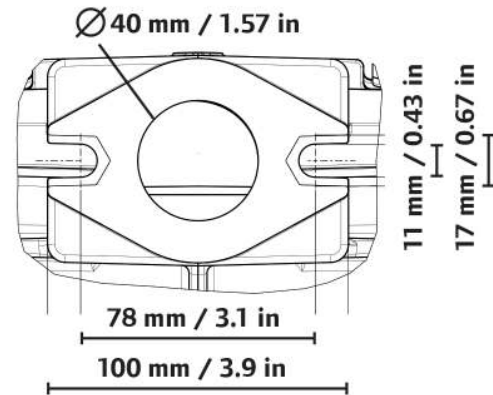
GHH RAND®

SV200 – Innovative compressor for the liquid tanker industry



Operating Range

Parameters	Units	Min.	Max.
Power	kW / hp	7 / 9.4	13 / 18
Discharge pressure	bar(g) / psi(g)	2.5 / 36	
Volume flow	m ³ /h / cfm	55 / 32	200 / 118
Shaft speed	rpm	1,000	1,800
Weight	kg / lb	37 / 81	



Your advantages

- Anodised sideplate venting system and rotor housing together with stainless steel rotor substantially reduce the risk of internal corrosion and unplanned off road time and expenditure.
- Ease of maintenance and downtime reduction with corrosion resistant components used throughout
- Peace of mind offered from GHH RAND's extensive and market leading 50 years of experience within the road transport market.
- A full range of ancillaries available including air filter and kit, discharge port flange kit, companion flange, non-return and safety relief valve, hydraulic trunk, coupling and hydraulic drive motor.
- Regional support with a full & comprehensive well positioned GHH RAND partner network.

Our innovative venting system allows air to exhaust properly, yet prevents ingress of water from entering and contaminating the compression chamber. This unique feature significantly reduces the risk of compressor failure, irrespective of mounting position.

Mississauga:
(905) 564-5404

Thunder Bay:
(807) 577-5724

Brandon:
(204) 571-5980

Saskatoon:
(306) 242-3465

Edmonton:
(780) 447-4422

Grande Prairie:
(780) 402-9864

Sudbury:
(705) 222-1042

Winnipeg:
(204) 632-8269

Regina:
(306) 757-5606

Lloydminster:
(780) 875-9115

Calgary:
(403) 236-9712

Red Deer:
(403) 343-1383