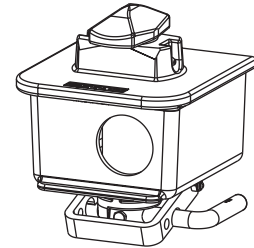
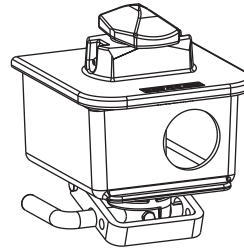
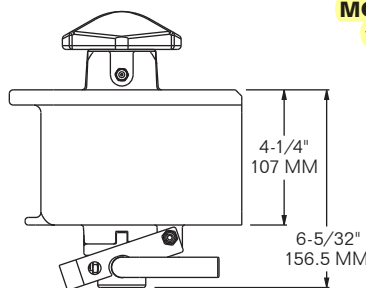
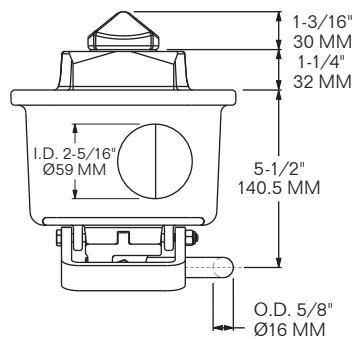


MODEL 1101-1131-L
MODEL 1101-1131-R



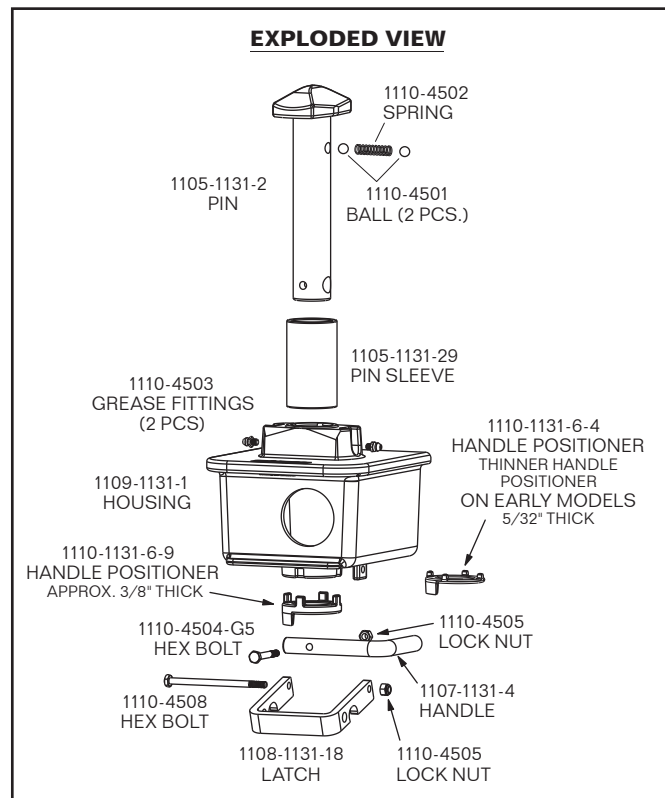
MODEL 1101-1131-L
for Front Curbside
& Rear Roadside
1 Light Hole

MODEL 1101-1131-R
for Front Roadside
& Rear Curbside
1 Light Hole



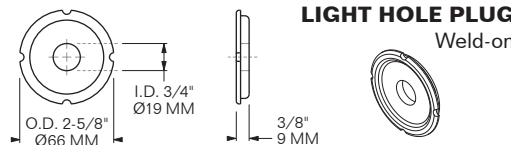
SUB FOR: CHEETAH 80862 (L) / 80861 (R)
HYUNDAI 10006744 (L) / 10006745 (R)
& PRATT 2987 (L) / 2988 (R)
FINISH: WELDABLE PRIMER
WEIGHT: 22.9 LBS / 10.39 Kg

1101-1131-L SHOWN DIMENSIONED



MODEL 1110-8400

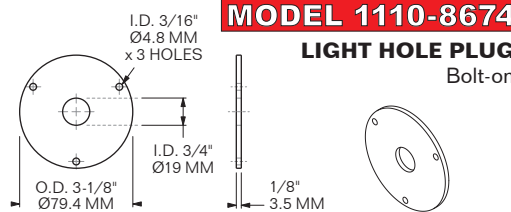
LIGHT HOLE PLUG
Weld-on



CONVERTS Ø2-5/16 inch LIGHT HOLE TO Ø3/4 inch
MATERIAL: CAST STEEL **FINISH:** WELDABLE PRIMER
WEIGHT: 0.3 LBS / 0.136 Kg

MODEL 1110-8674

LIGHT HOLE PLUG
Bolt-on



CONVERTS Ø2-5/16 inch LIGHT HOLE TO Ø3/4 inch
MATERIAL: STEEL **FINISH:** WELDABLE PRIMER
WEIGHT: 0.28 LBS / 0.127 Kg

- CAST STEEL HOUSING & FORGED STEEL PIN.
- MEETS AAR SPECIFICATIONS FOR RAIL USE.
- DUAL GREASE FITTINGS.
- LEDGE EXTENDED TO PROTECT LIGHT.