

LED Headlamp

For Snowplow, Construction & Agricultural Applications

Uni-Bond

Part No.
LWP6800H

High Beam: 3,600 Lumens
Low Beam: 1,800 Lumens

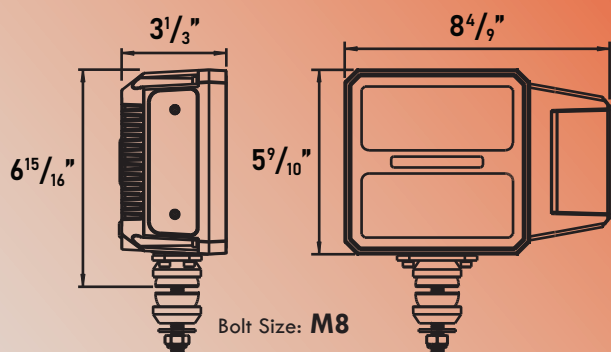
FEATURES

- ▶ **SAE / DOT compliant LED Headlight**
- ▶ High Beam / Low Beam / Turn Signal / Parking
- ▶ Deutsch Connectors (both female & male mating)
- ▶ Pressure Relief Valve
- ▶ Heavy Duty Shock Absorbing Mount
- ▶ Turn Signal Light can be mounted left, right or top

OPTIMAL PENETRATION
(High Beam): 1,800 ft
(Low Beam): 1,000 ft



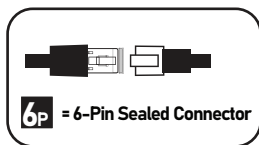
Auto ON/OFF Lens Heater



SPECIFICATIONS

- Voltage: 10V to 30V
- Housing: Aluminum
- Lens: Tempered Glass Lens
- Amps: 5.5 @ 12V
- EMC: Certified
- IP Rating: IP68
- RoHS: Certified

Harness (PT6610) & (PT8167) sold separately



6p = 6-Pin Sealed Connector

